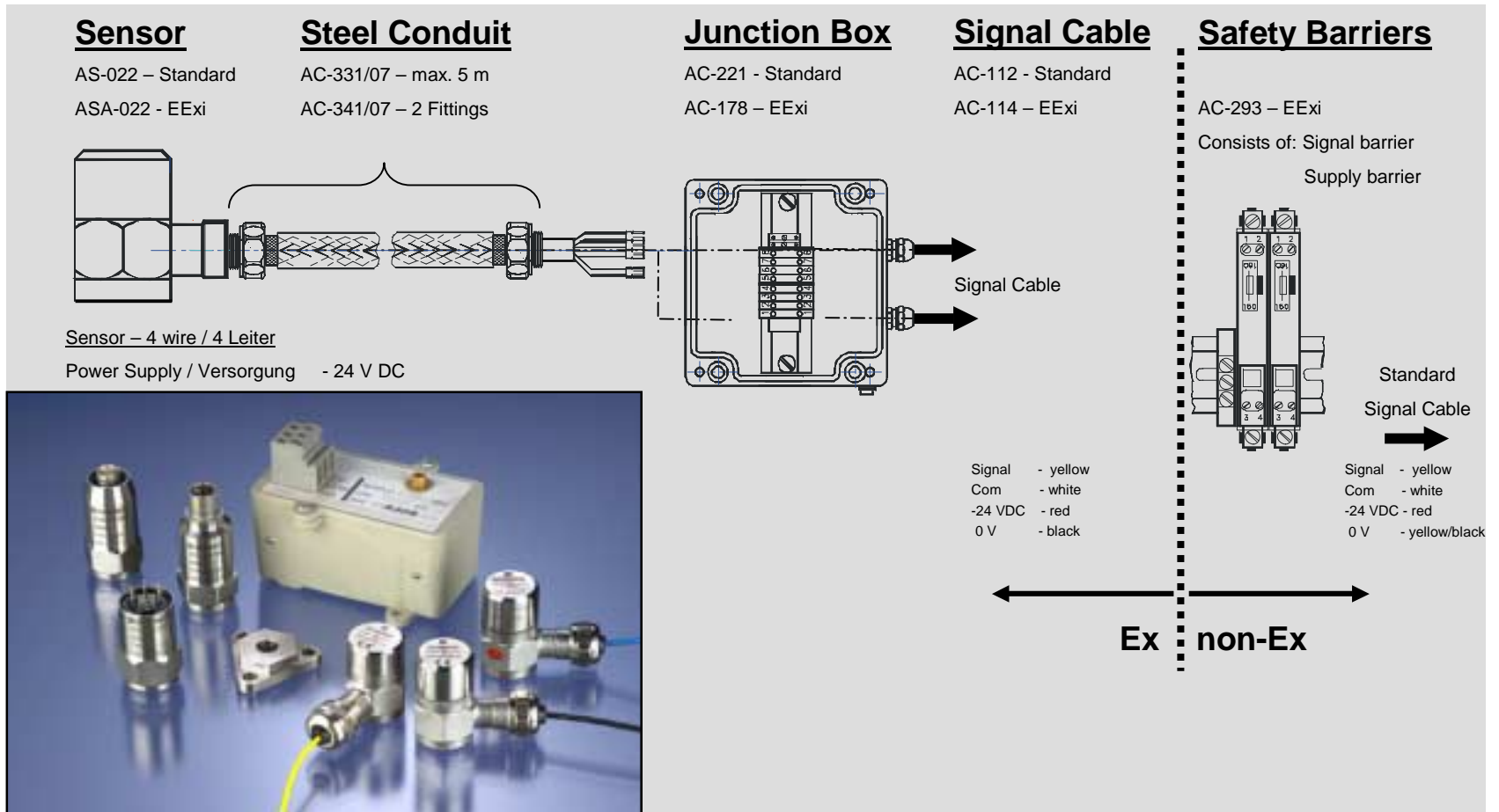




Accelerometer / Schwingbeschleunigungssensor





Accelerometer / Schwingbeschleunigungssensor

Sensor

AS-030 – Standard

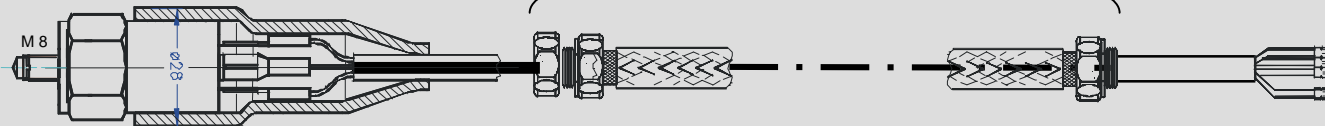
Steel Conduit

AC-331/07

AC-341/07 – 2 Fittings

Signal Cable

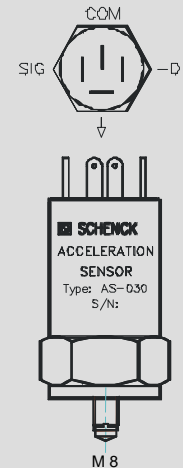
AC-112 – Standard - max. 1000 m



- Signal - yellow
- Com - white
- 24 VDC - red
- 0 V - black

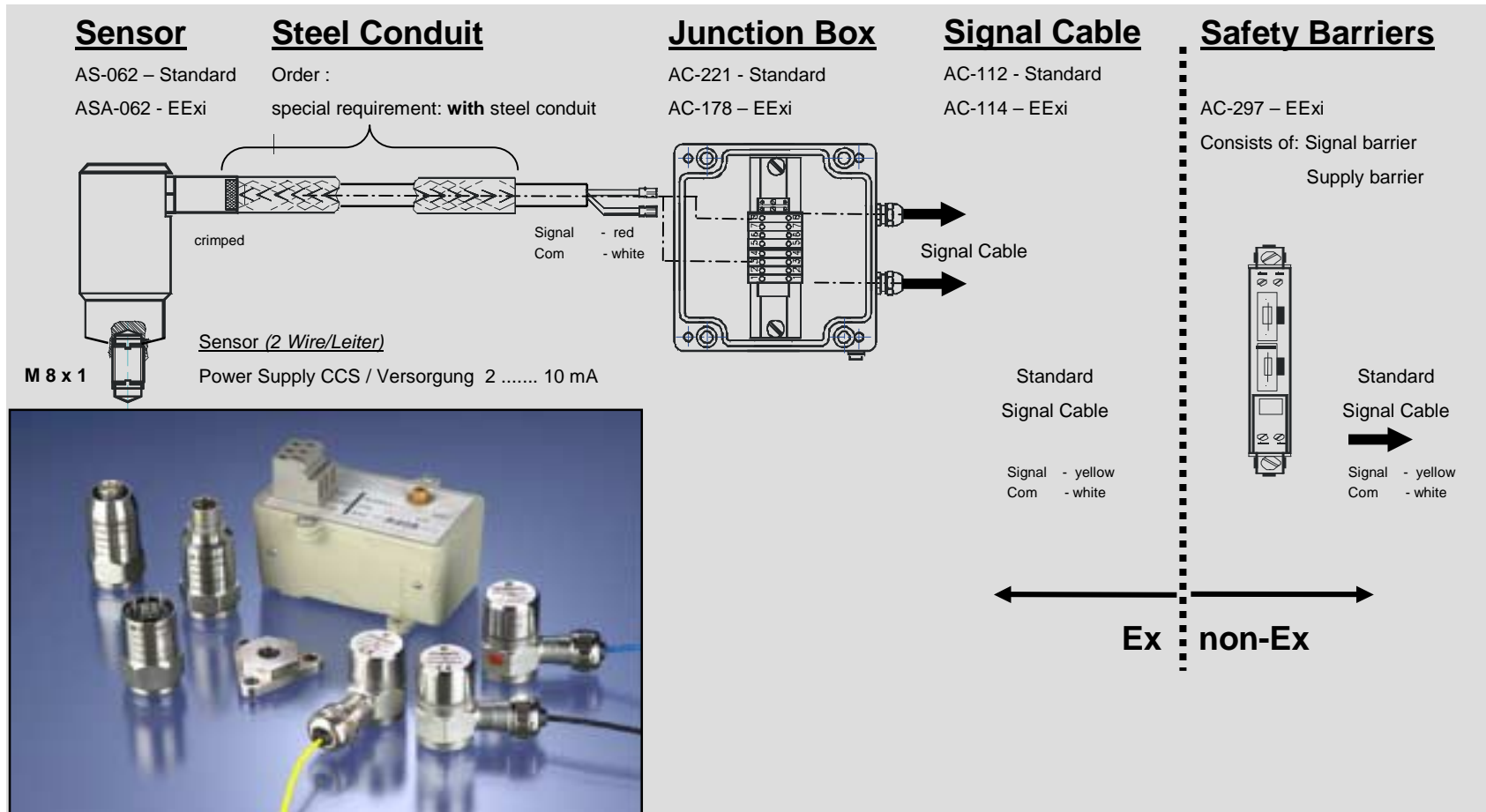
Sensor – 4 wire / 4 Leiter

Power Supply / Versorgung - 24 V DC



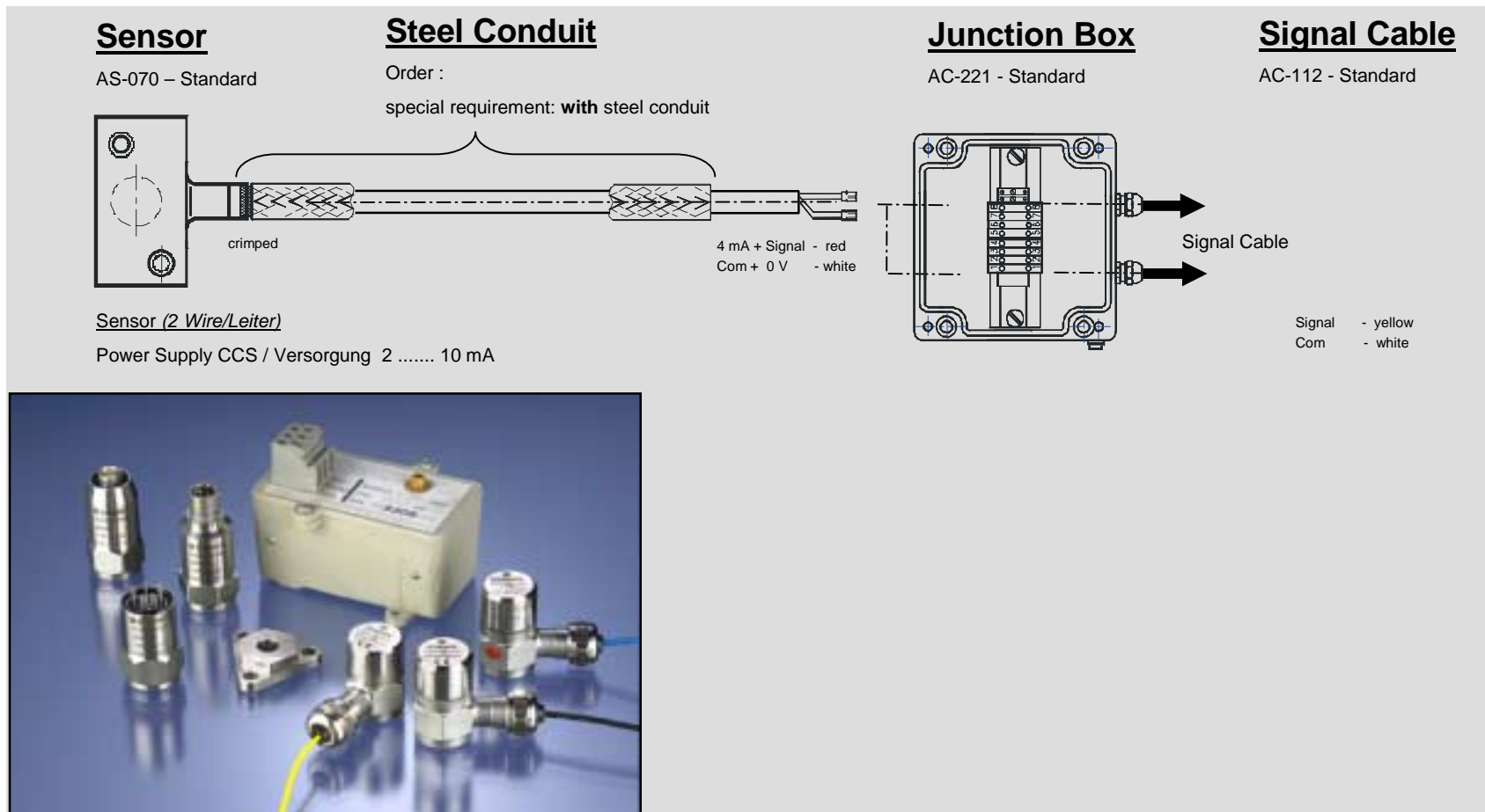


Accelerometer / Schwingbeschleunigungssensor





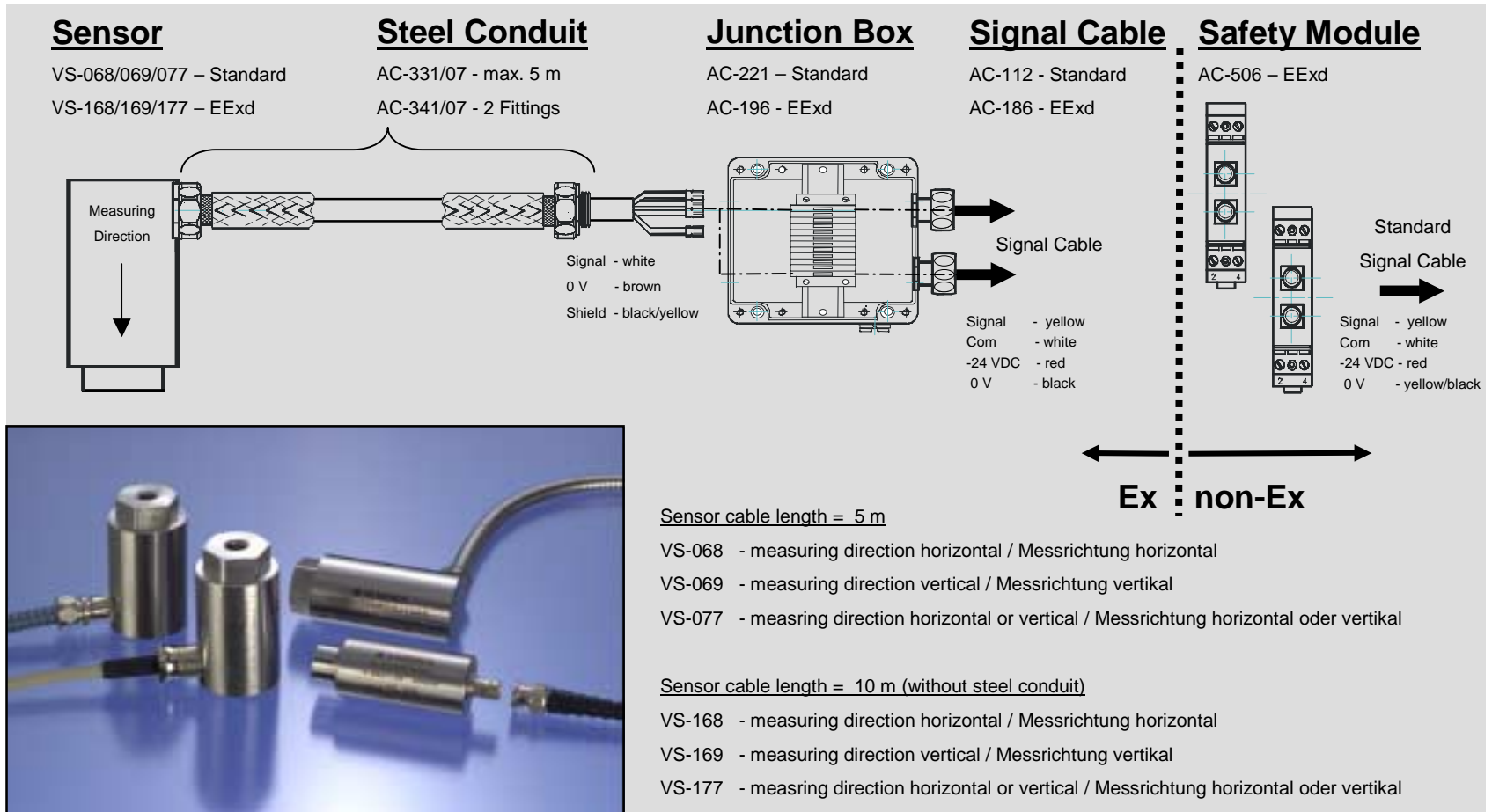
Accelerometer / Schwingbeschleunigungssensor



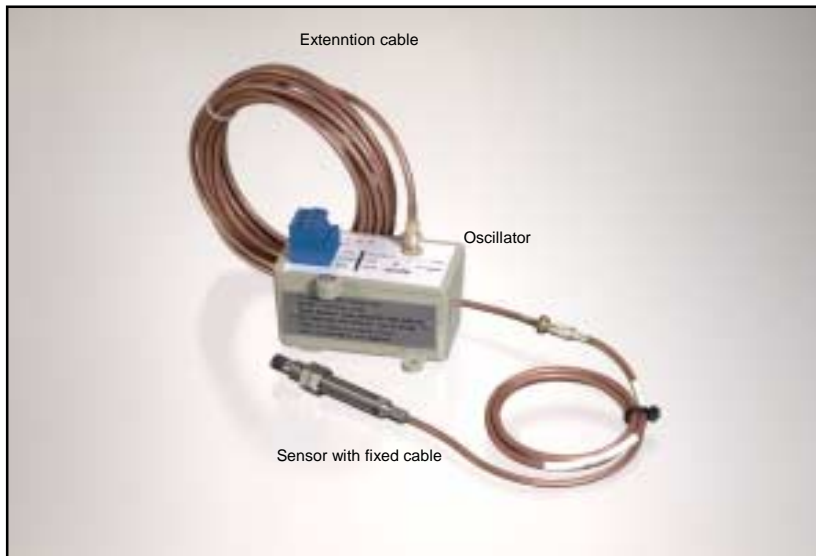


Velocity Sensor / Schwinggeschwindigkeitssensor

*O Hazardous Areas **always without** steel conduit / im Ex-Bereich **immer ohne** Stahlschutzschlauch*



Non-contacting sensor / berührungsloser Schwingwegsensor (SD)



Sensor

SD-05x
SD-08x
SD-16x

Cable length:

0,5 m fixed at sensor +
1,0 m fixed at sensor +
5,0 m fixed at sensor +
10 M fixed at sensor +

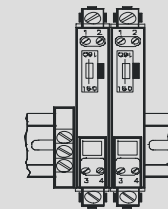
Extension Cable

EC-001 (without cable protection)
EC-002 (with steel protection)
EC-003 (with Silthan protection)

4,5 m or 9,5 m
4,0 m
without
without

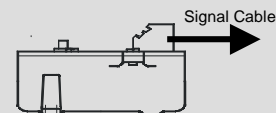
Safety Barriers

AC-291
1 Signal barrier/
Signalbarriere
+
1 Supply barrier/
Versorgungsbarriere



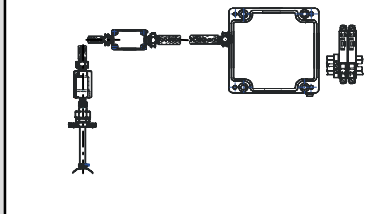
Oscillator

OD-05x
OD-08x
OD-162

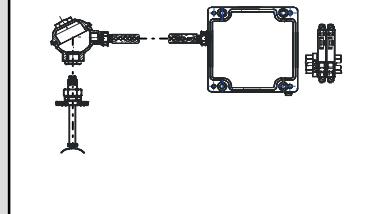


← Ex : non Ex →

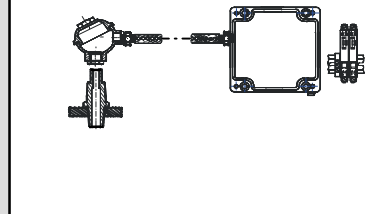
MSD-01 SD Sensor Installation



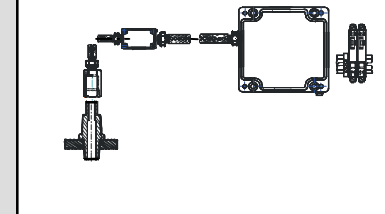
MSD-02 - SD Sensor Installation



MSD-03 SD Sensor Installation

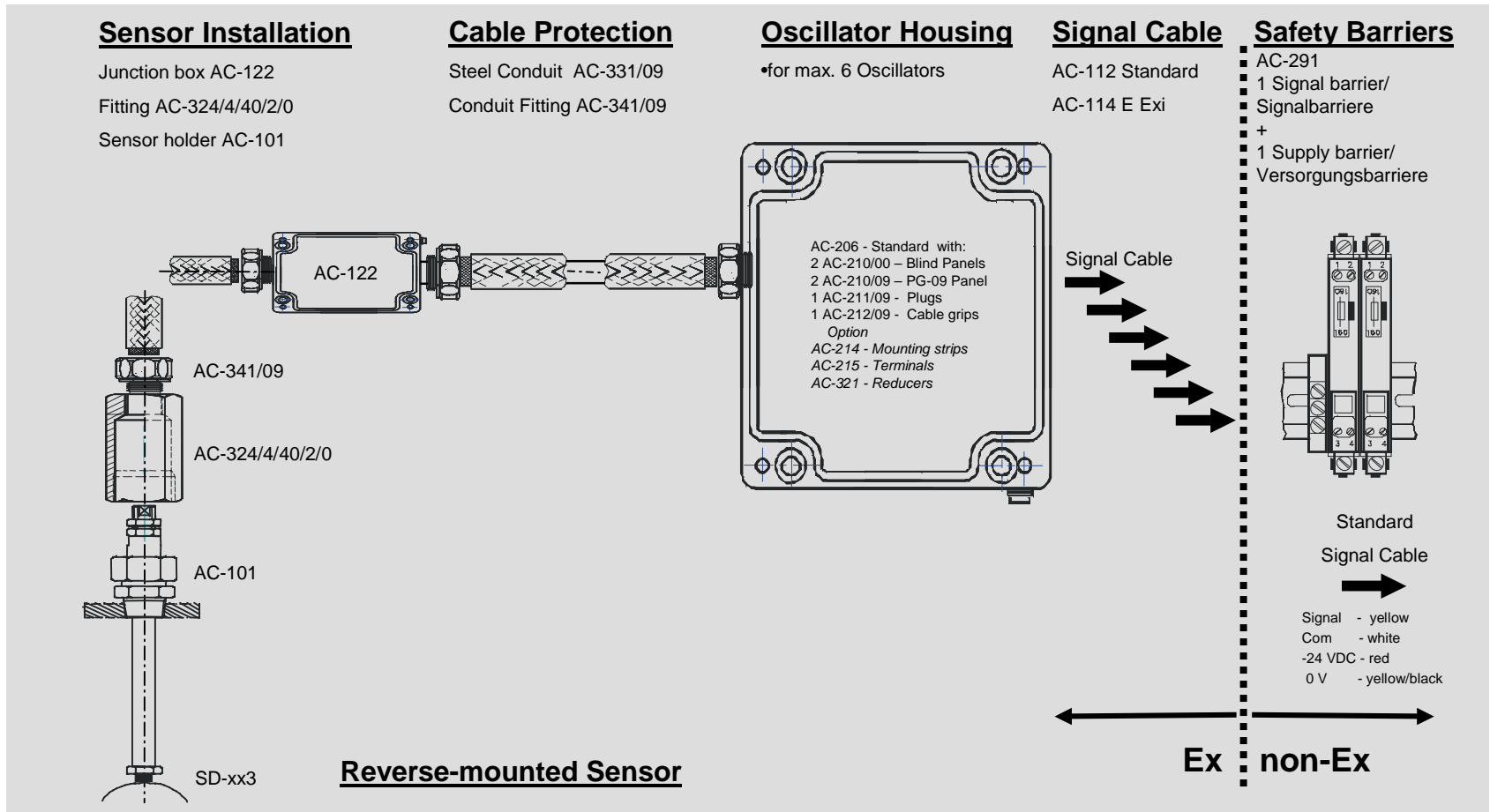


MSD-04 SD Sensor Installation

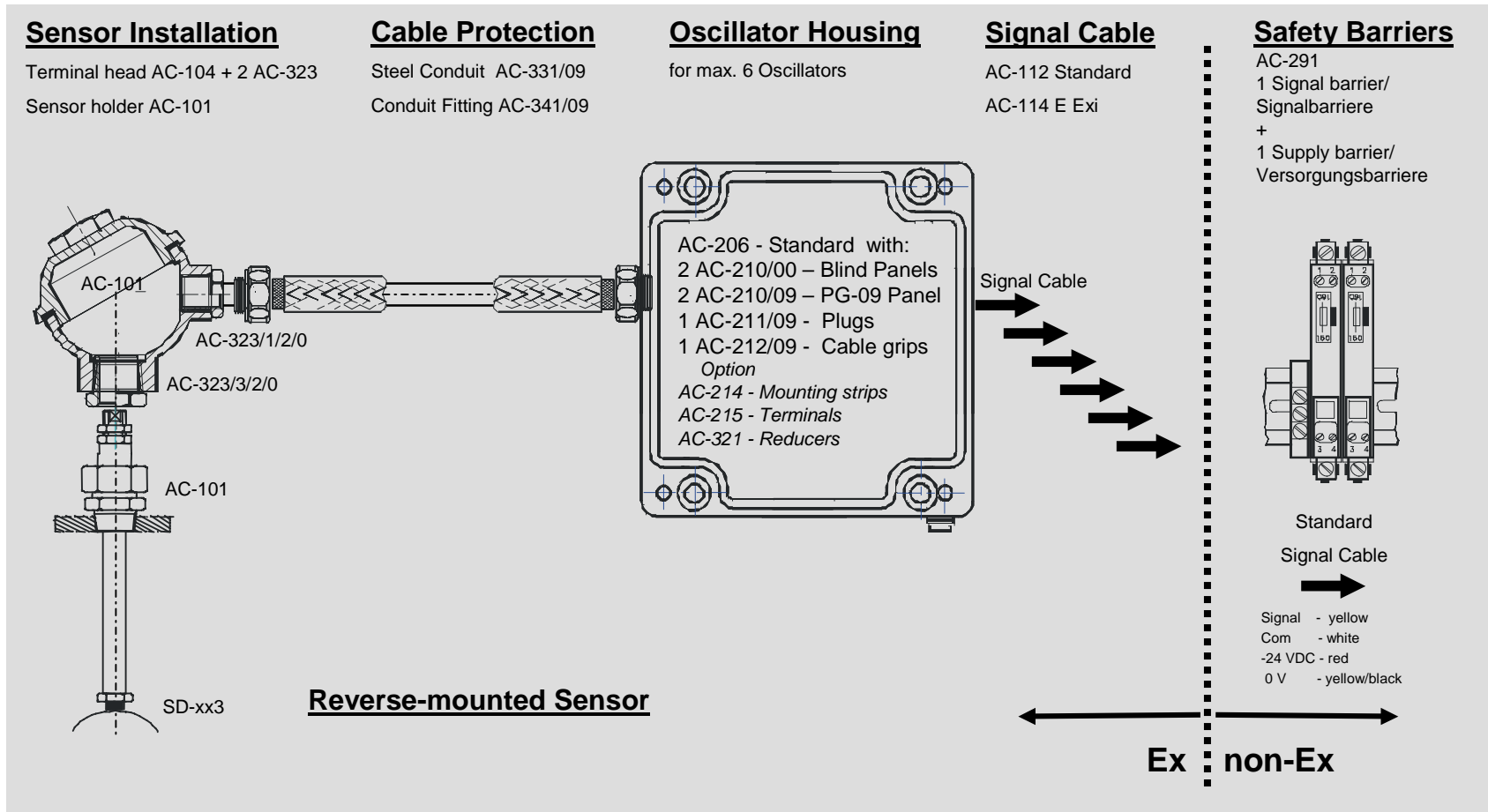




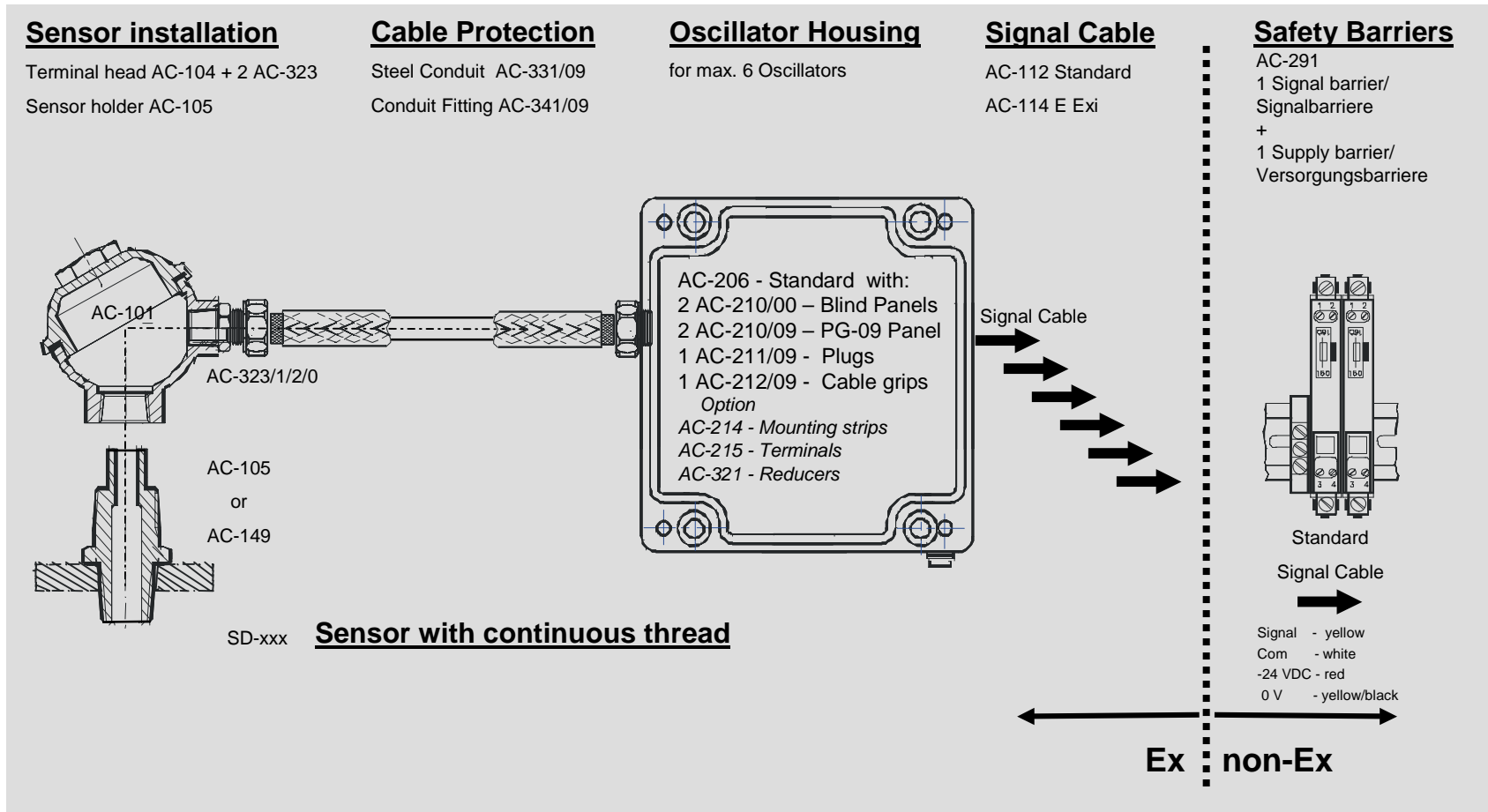
Standard installation of non-contacting sensor (SD)



Standard installation of non-contacting sensor (SD)




Standard installation of non-contacting sensor (SD)




Non-contacting sensor / berührungsloser Schwingwegsensor (IN)

Sensor with integrated Oscillator




IN-INA-085
IN-INA-081

IN-INA-083

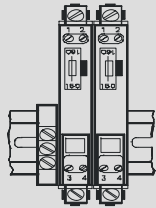


IN-084



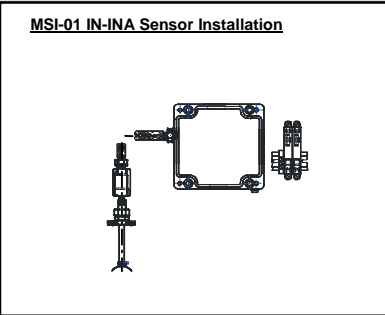
Safety Barriers

AC-294
1 Signal barrier/
Signalbarriere
+
1 Supply barrier/
Versorgungsbarriere

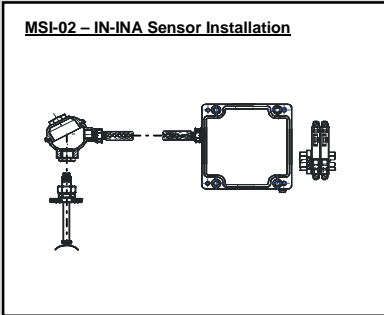


← Ex : non-Ex →

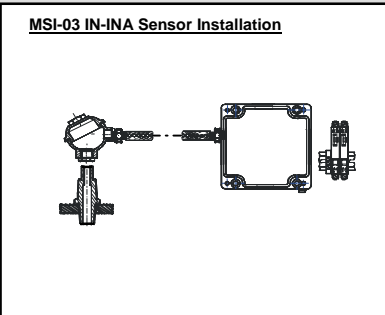
MSI-01 IN-INA Sensor Installation



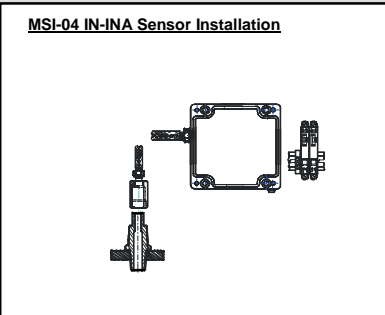
MSI-02 - IN-INA Sensor Installation



MSI-03 IN-INA Sensor Installation

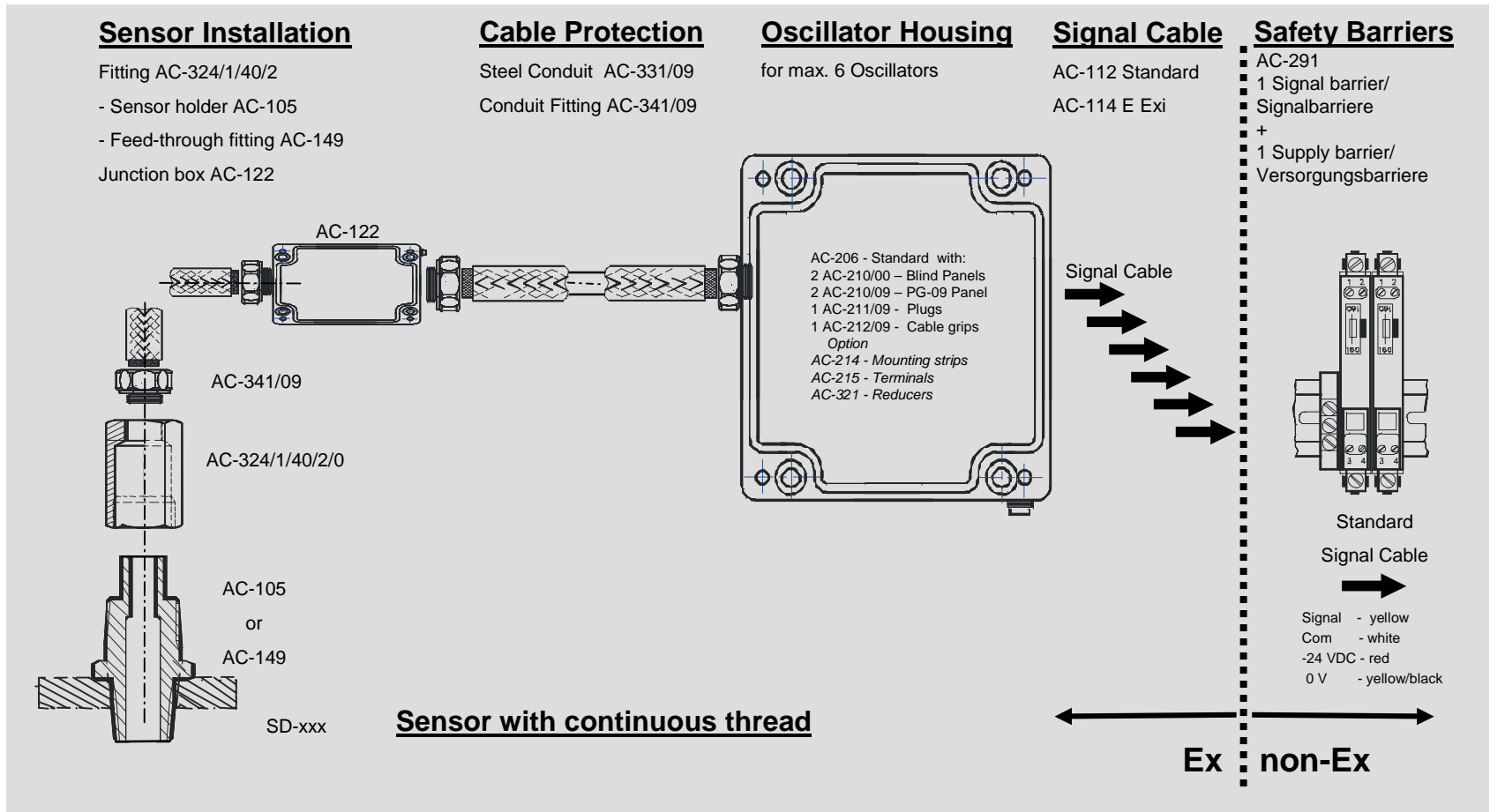


MSI-04 IN-INA Sensor Installation



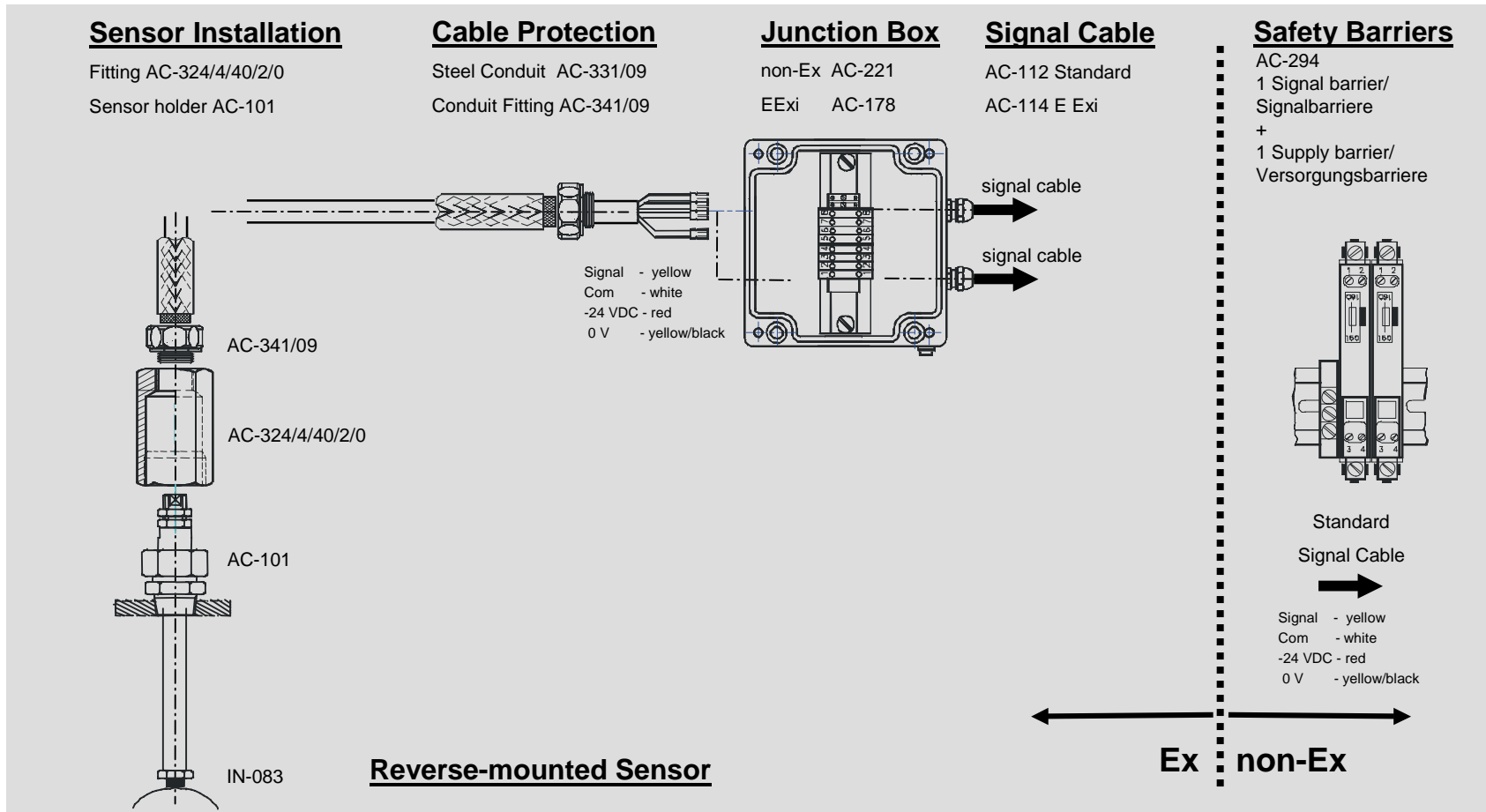


Standard installation of non-contacting sensor (SD)

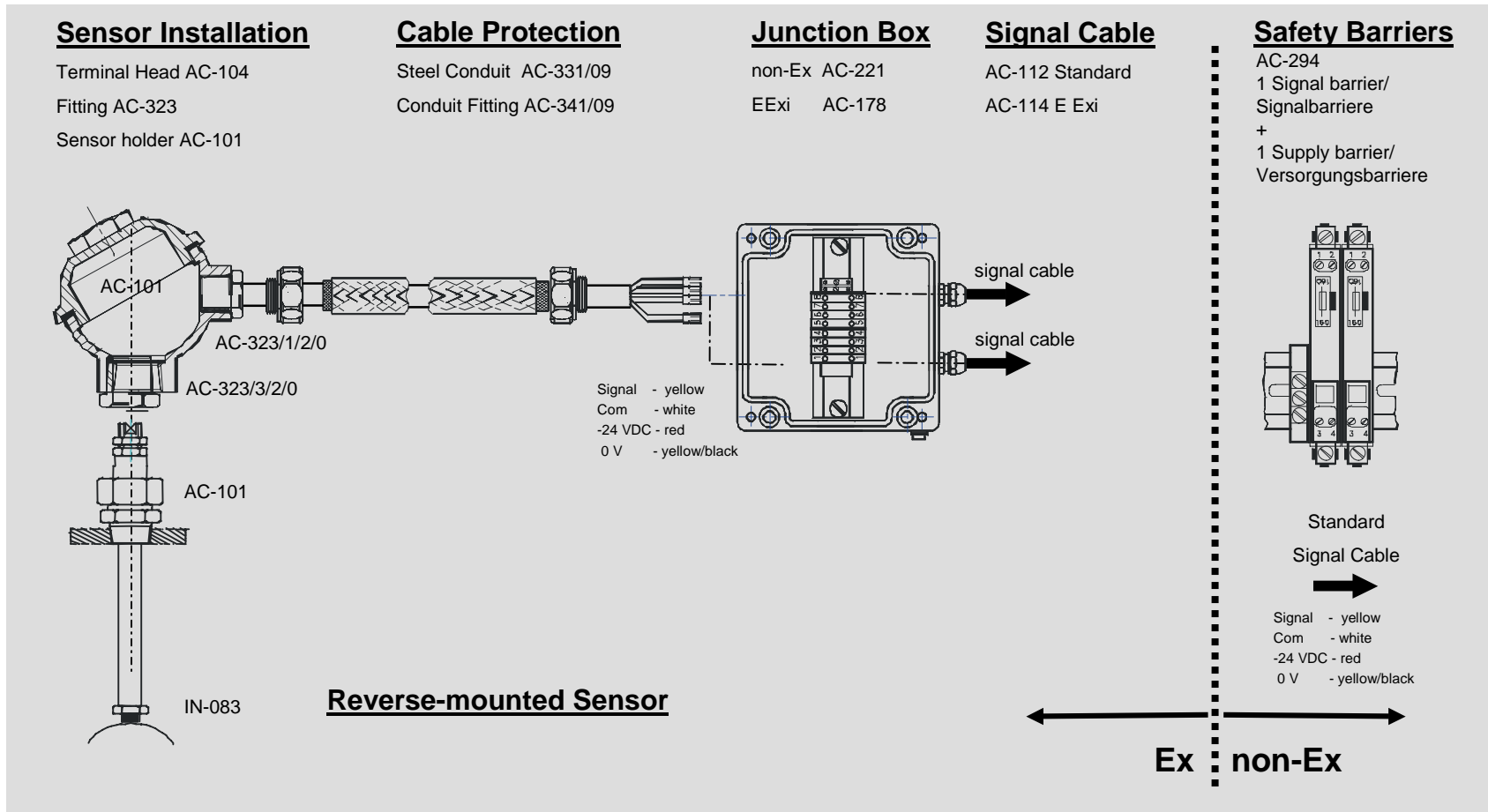




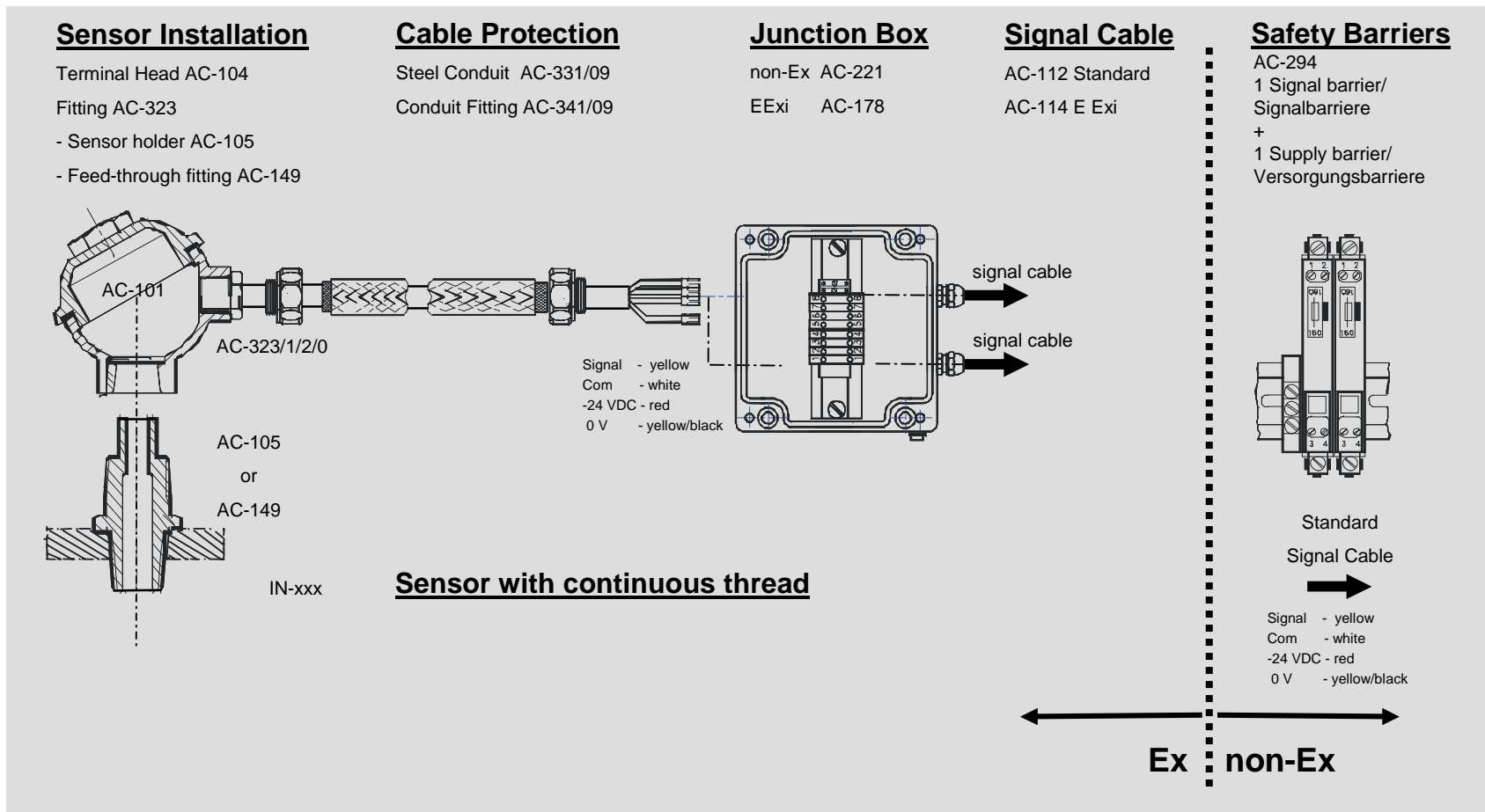
Standard installation of non-contacting sensor (IN)



Standard installation of non-contacting sensor (IN)



Standard installation of non-contacting sensor (IN)





Standard installation of non-contacting sensor (IN)

Sensor Installation

- Fitting AC-324
- Sensor holder AC-105
- Feed-through fitting AC-149

Cable Protection

- Steel Conduit AC-331/09
- Conduit Fitting AC-341/09

Junction Box

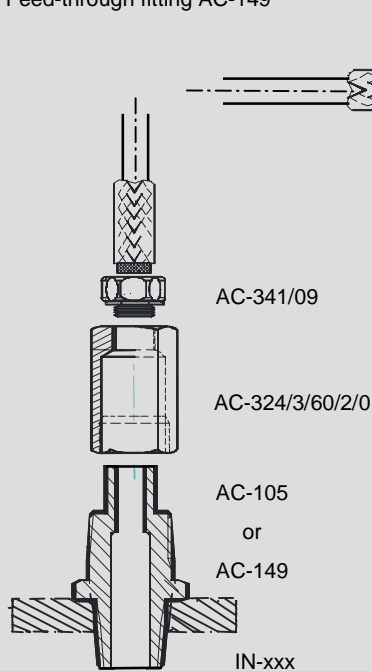
- non-Ex AC-221
- EExi AC-178

Signal Cable

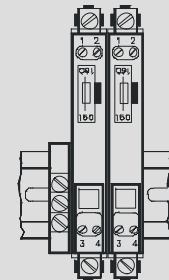
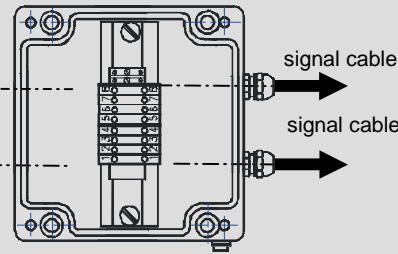
- AC-112 Standard
- AC-114 E Exi

Safety Barriers

- AC-294
- 1 Signal barrier/
Signalbarriere
- +
- 1 Supply barrier/
Versorgungsbarriere



Signal - yellow
Com - white
-24 VDC - red
0 V - yellow/black



Standard
Signal Cable

Signal - yellow
Com - white
-24 VDC - red
0 V - yellow/black

